



Johor Bahru, Malaysia



Johor Bahru plant is located in the southern part of Malaysia and has a mineral wool insulation production capacity of 75,000 tons a year.

The plant, one of the most efficient and sustainable insulation plants in the Asia Pacific region, uses up to 80% post-consumer recycled glass in the manufacturing process.

The facility also offers customers enhanced services and a wider product range for residential and non-residential buildings, as well as solutions for HVAC systems and domestic appliances such as ovens, cars and fridges.

FERBECK INTERNATIONAL SA has been awarded two EPC contracts for two 65 and one 36 meter-high-steel stacks by Knauf Insulation*.

Key facts about the plant

- Glass mineral wool insulation plant
- Owner&contractor: Knauf Insulation



Key facts about the chimney

- Completed in 2020
- Single skin steel stack
- H 36m
- Outer $\varnothing = 1.2\text{m}$
- Carbon steel liner
- Free standing



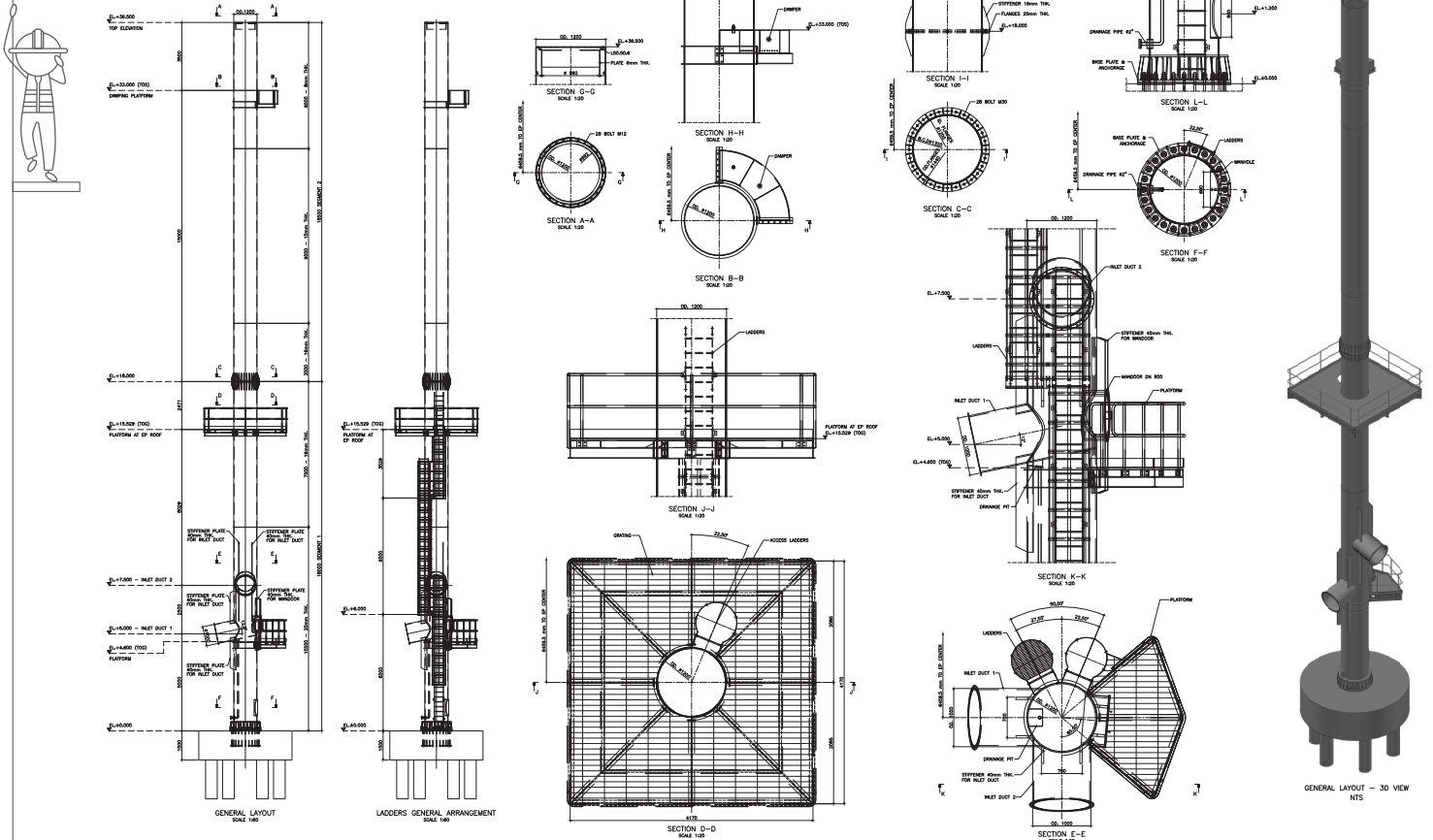
* see Johor Bahru 65m steel stack project report

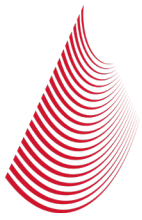


Steel stack

FERBECK's scope of work includes:

- anchor bolt system for foundation
- platforms
- damper
- ladders
- electric system (lighting, inner power supply, aircraft signalization lamps...)
- lightning protection system





Platforms

3 platforms are installed around the structure:

- damper platform at EL.+33.0m
- EP roof platform at EL.+15.5m
- platform at EL.+4.6m



Damper

A liquid anti vibration damper is used to avoid resonance phenomena, as well as issues linked to fatigue.

