

## Keban Agung, Indonesia



### Key facts about the plant

- 2x135 MW coal fired power plant
- Owner&Contractor: Priamanaya Energi



### Key facts about the chimney

- Completed in 2013
- Concrete chimney
- Twin conical shape
- H 130m
- Outer  $\varnothing = 6.5\text{m}$  (bottom),  $4.2\text{m}$  (top)
- Borosilicate blocks on internal windshield surface

PLTU Keban Agung – Lahat 2x135 MW Power Plant, which is built under a BOO scheme (Build, Own, and Operate), is an IPP (Independent Power Producer) project owned by PT Priamanaya Energi.

This project is part of the 10,000 MW acceleration program stage II involving private sectors, developed specially to cover up the power consumption in South Sumatra, which increased of about 11.3% in the last 5 years. It is a mine mouth electric plant, located in Desa Kebur, Lahat – South Sumatra.

The construction of the plant is mainly financed by PT Bank Negara Indonesia (Persero) and by funds of PT Priamanaya Energi.

The owner acted as main contractor with the support of Harbin Haguo Industrial Development Co. and Hebei EPTC.

In this power plant, FERBECK has been awarded an EPC contract of a 130 meter-high-concrete chimney by PT Priamanaya Energi.

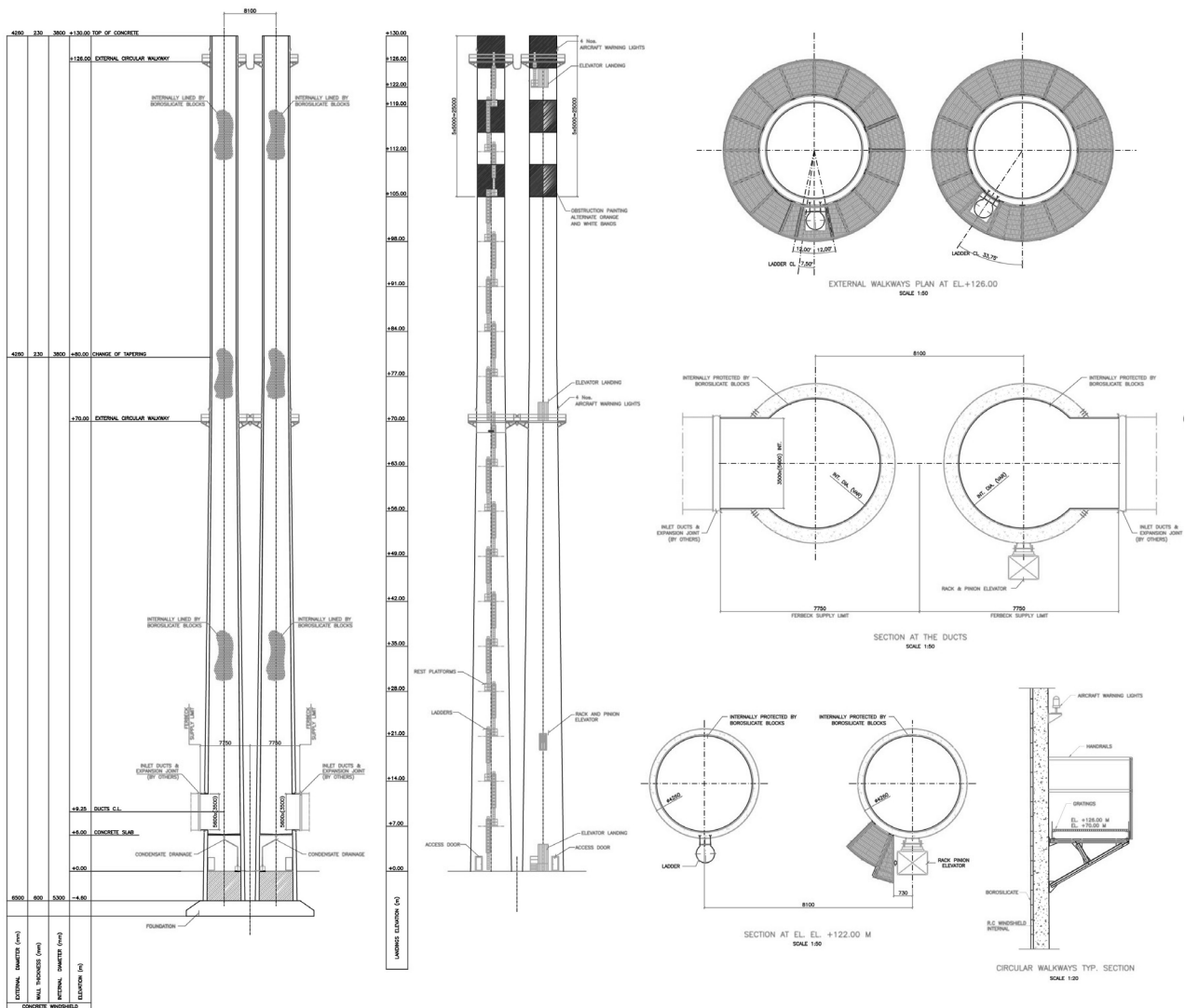




# Concrete chimney

FERBECK's scope of work includes:

- foundation
- concrete shell
- outer shell coat
- steel platforms and walkways
- borosilicate as internal protection
- all other steel elements (doors, windows...)
- access lift and ladders
- electric system (lighting, inner power supply, aircraft signalization lamps...)
- lightning protection system

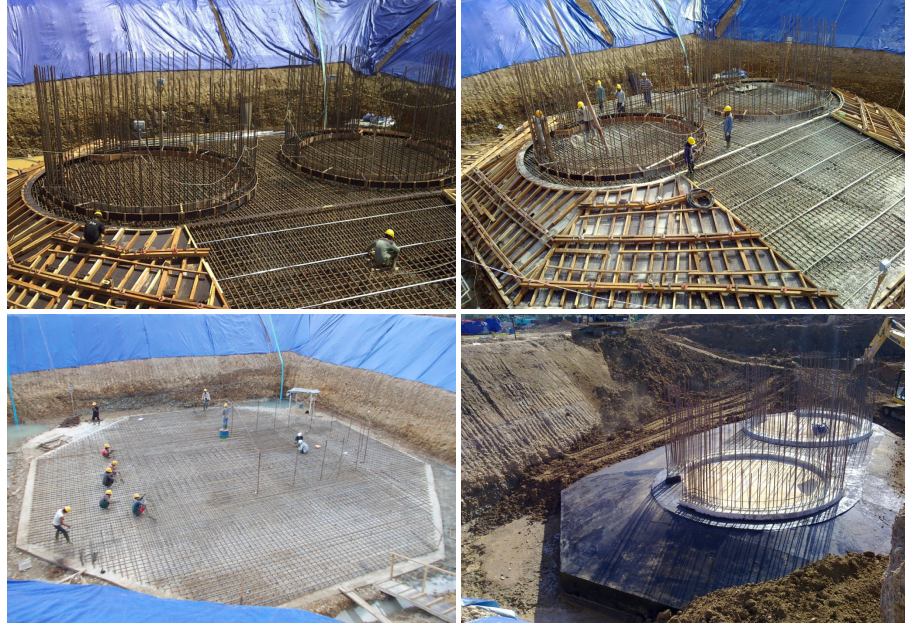






## Foundation

The chimneys are supported in one single octagonal foundation. A single foundation for both chimneys and a simultaneous sliding process generated an important overall cost saving.



## Concrete shell

The outer concrete shell is made of 1400 m<sup>3</sup> of concrete and 88 tons of steel reinforcement with the following size:

- 6.5m (bottom), 4.2m (top) of external diameter
- h 130m

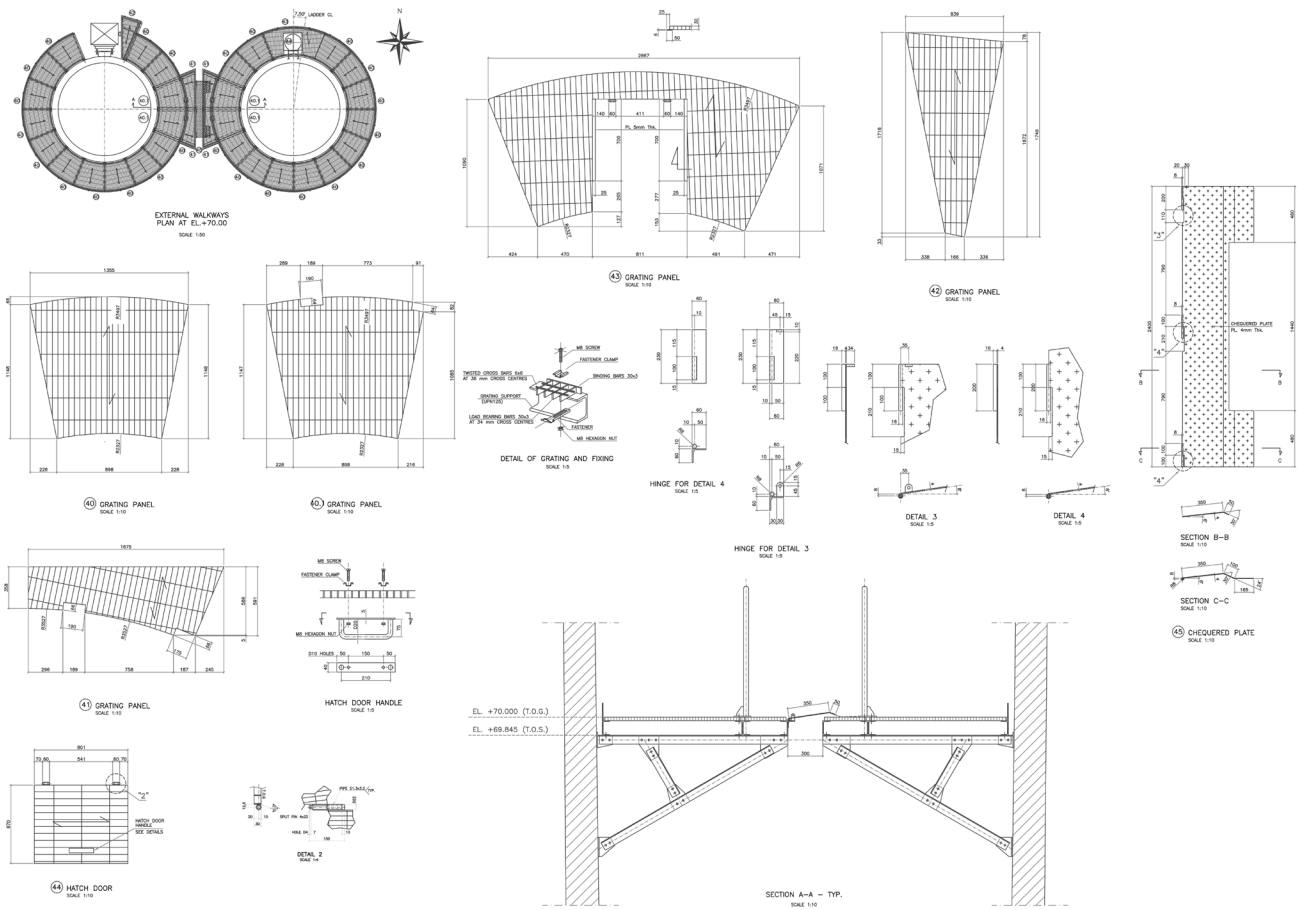
The casting is performed with a slipform operating 24/7.







# Walkways



- 4 walkways are installed:
- 2 walkways at EL.+70m
  - 2 walkways at EL.+126m

The application of borosilicate eliminated steel liners and steel support structures.





## Overview of the chimney

