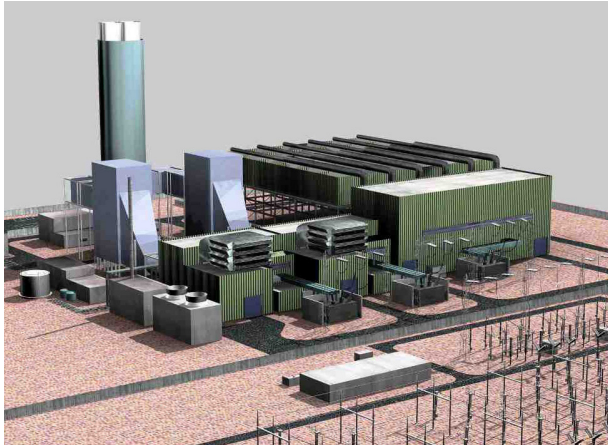


Turano Lodigiano, Italy



Key facts about the plant

- 2 x 265 MW, 1 x 270 MW CCGT power plant
- Owner: Sorgenia SpA
- Contractor: Ansaldo Energia SpA (AEN)



Key facts about the chimney

- Completed in 2010
- Concrete chimney
- Hexagonal columnar shape
- H 100m
- 17.55m x 9.8m
- 2 carbon steel liners, $\varnothing = 6,100\text{mm}$ each

Turano Lodigiano-Bertonico, an 800MW power plant in northern Italy near Lodi, is owned by Sorgenia SpA, an important private operator in the Italian market in the field of electric power and natural gas, strongly focused on environmental issues.

The plant site is a recently reclaimed industrial area that was previously occupied by an oil refinery demolished in the early 1980s, in the frame of a plan for re-qualifying the surrounding area by developing industrial and artisan sites nearby.

The EPC contract of Turano power plant was awarded to Ansaldo Energia, a leading international player in the power generation industry, in April 2008 and followed the realization by Sorgenia of similar plants near Termoli and Modugno in central/southern Italy.

In this power plant, FERBECK has been awarded an EPC contract of a 100 meter-high-concrete chimney by Ansaldo Energia.

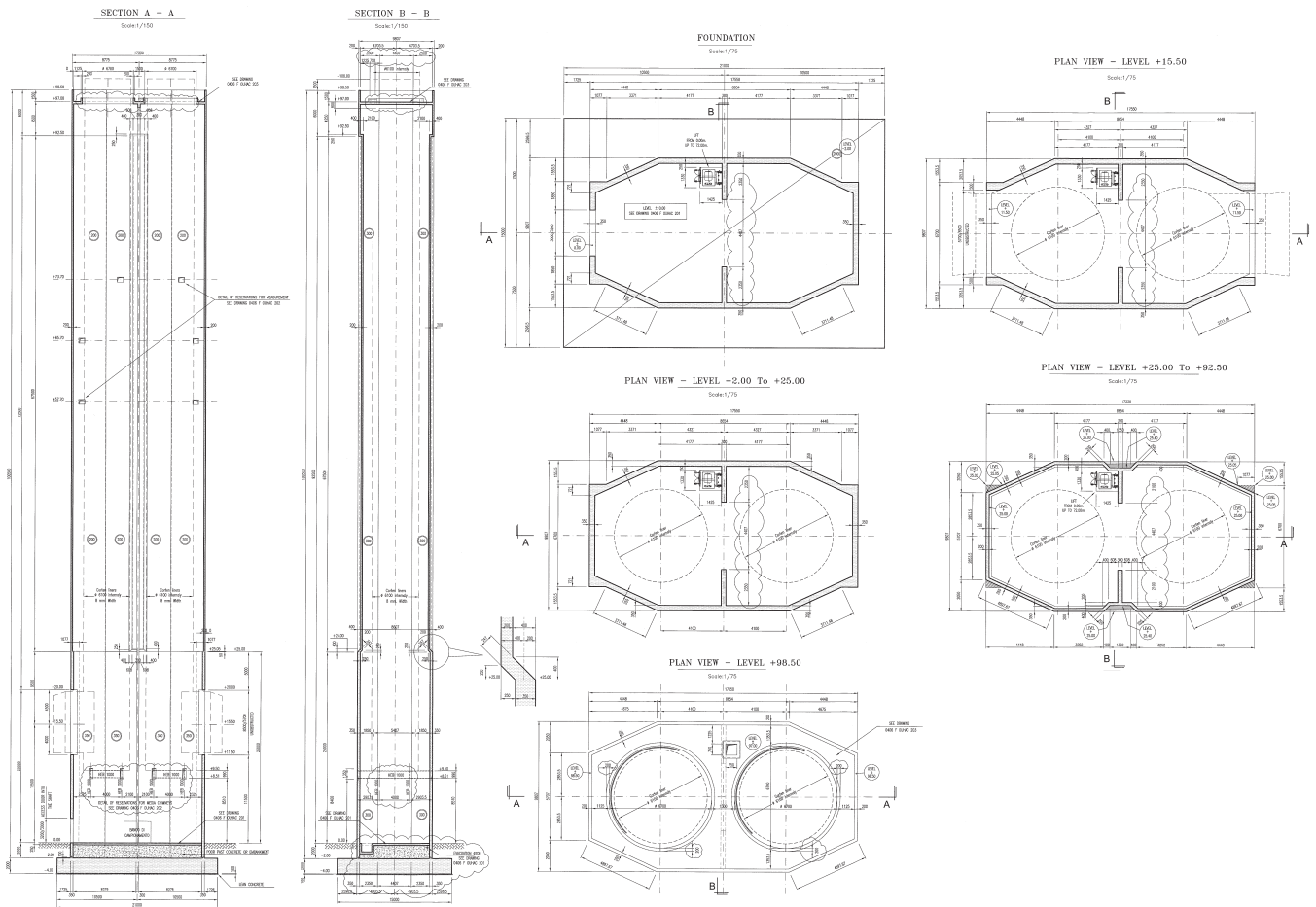




Concrete chimney

FERBECK's scope of work includes:

- foundation
- concrete shell
- outer shell coat
- steel platforms
- all other steel elements (doors, windows...)
- access lift and ladders
- electric system (lighting, inner power supply, aircraft signalization lamps...)
- lightning protection system

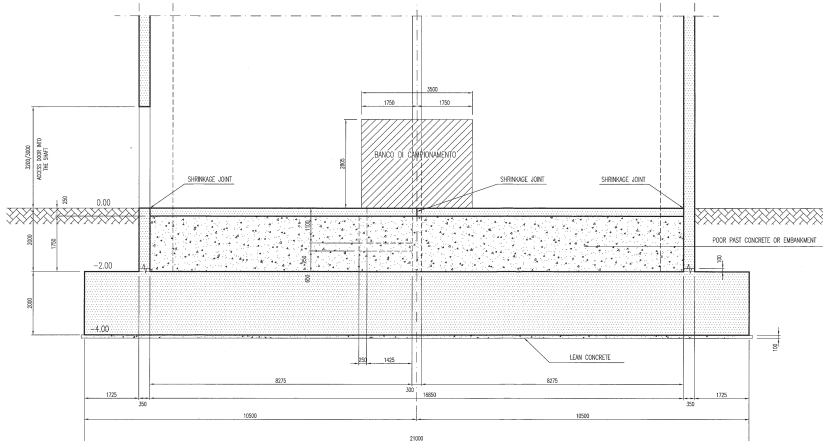




Foundation

The foundation is made of 630m³ of concrete with the following size:

- two silo areas 15m x 21m
- h 2m at EL.-4m



Concrete shell

The outer concrete shell is made of 1,760m³ of concrete with the following size:

- 17.55m x 9.8m of external dimension
- h 100m

The casting is performed with a slipform operating 24/7.





Platforms

7 platforms are installed inside the structure:

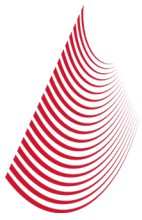
- roof platform at EL.+97m
- platform at EL.+92m
- platform at EL.+72m
- platform at EL.+64m
- guide platform at EL.+59.5m
- AWL platform at EL.+56m
- lamp platform at EL.+30m



Liner

The chimney has 2 bottom supported carbon steel liners with $\varnothing = 6,100\text{mm}$ each at EL.+9.5m, externally covered by mineral rock wool.





Overview of the plant

